

# MODEL L-85s DIAGRAM PRIMARY CABINET DIMENSIONS

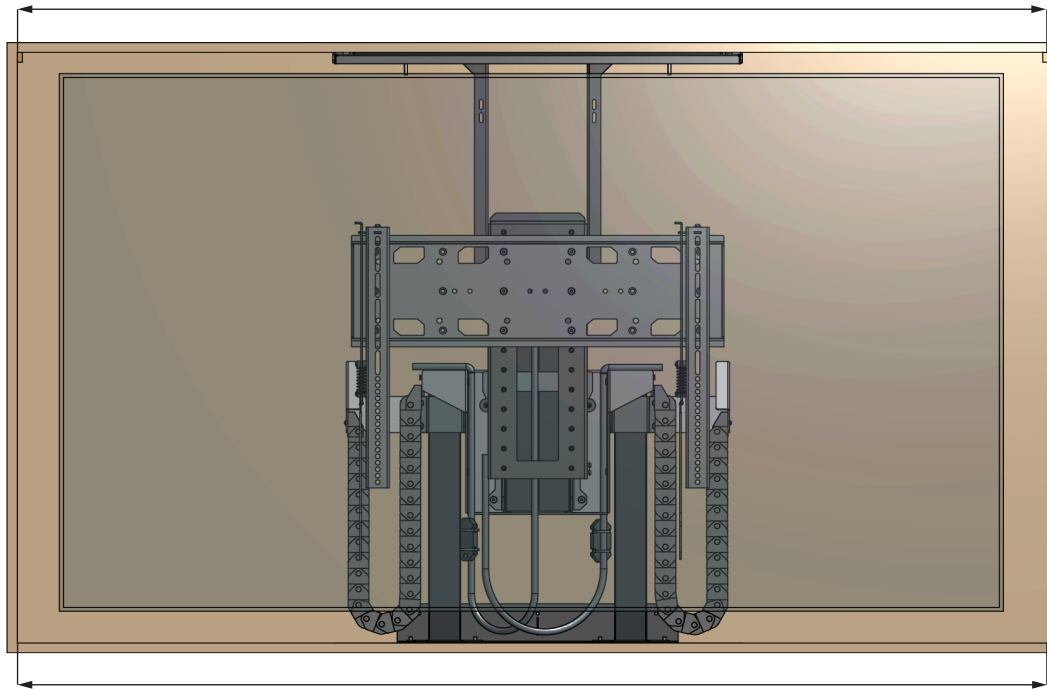
## SPECIFICATIONS (CENTIMETERS ARE REPRESENTED BY [ ])

MAX TV SIZE : 86"  
 MAX WEIGHT CAPACITY : 175 LBS [79.4 KG]  
 MAX TRAVEL [EXTENSION] : 52" [132.1]  
 LIFT SYSTEM HEIGHT : 33.5" [85.1] TO 48" [121.9]  
 MAX TV HEIGHT : 44" [111.8]  
 MANUAL SWIVEL RANGE : +/- 180°

## QUICK REFERENCE DIMENSION GUIDE (USE WHICHEVER IS GREATER)

TV DIMENSIONS : W\_\_\_\_, H\_\_\_\_, D\_\_\_\_  
 MIN. INTERIOR CABINET WIDTH : W + 2" [5.1] = \_\_\_\_ OR 32.5" [82.6]  
 MIN. LID CUTOUT WIDTH : W + 2" [5.1] = \_\_\_\_ OR 32.5" [82.6]  
 MIN. INTERIOR CABINET HEIGHT : SEE CHART ON PAGE 2  
 MIN. INTERIOR CABINET DEPTH : D + 8.5" [21.6] = \_\_\_\_  
 MIN. LID CUTOUT DEPTH : D + 8.5" [21.6] = \_\_\_\_

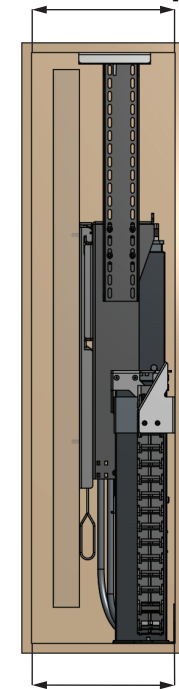
MIN. LID CUTOUT WIDTH = TV WIDTH + 2" [5.1] OR 32.5" [82.6]  
WHICHEVER IS GREATER



MIN. LID CUTOUT WIDTH = TV WIDTH + 2" [5.1] OR 32.5" [82.6]  
WHICHEVER IS GREATER

SEE CHART ON PAGE 2

MIN. LID CUTOUT DEPTH = TV DEPTH + 8.5" [21.6]



MIN. INTERIOR CABINET DEPTH = TV DEPTH + 8.5" [21.6]

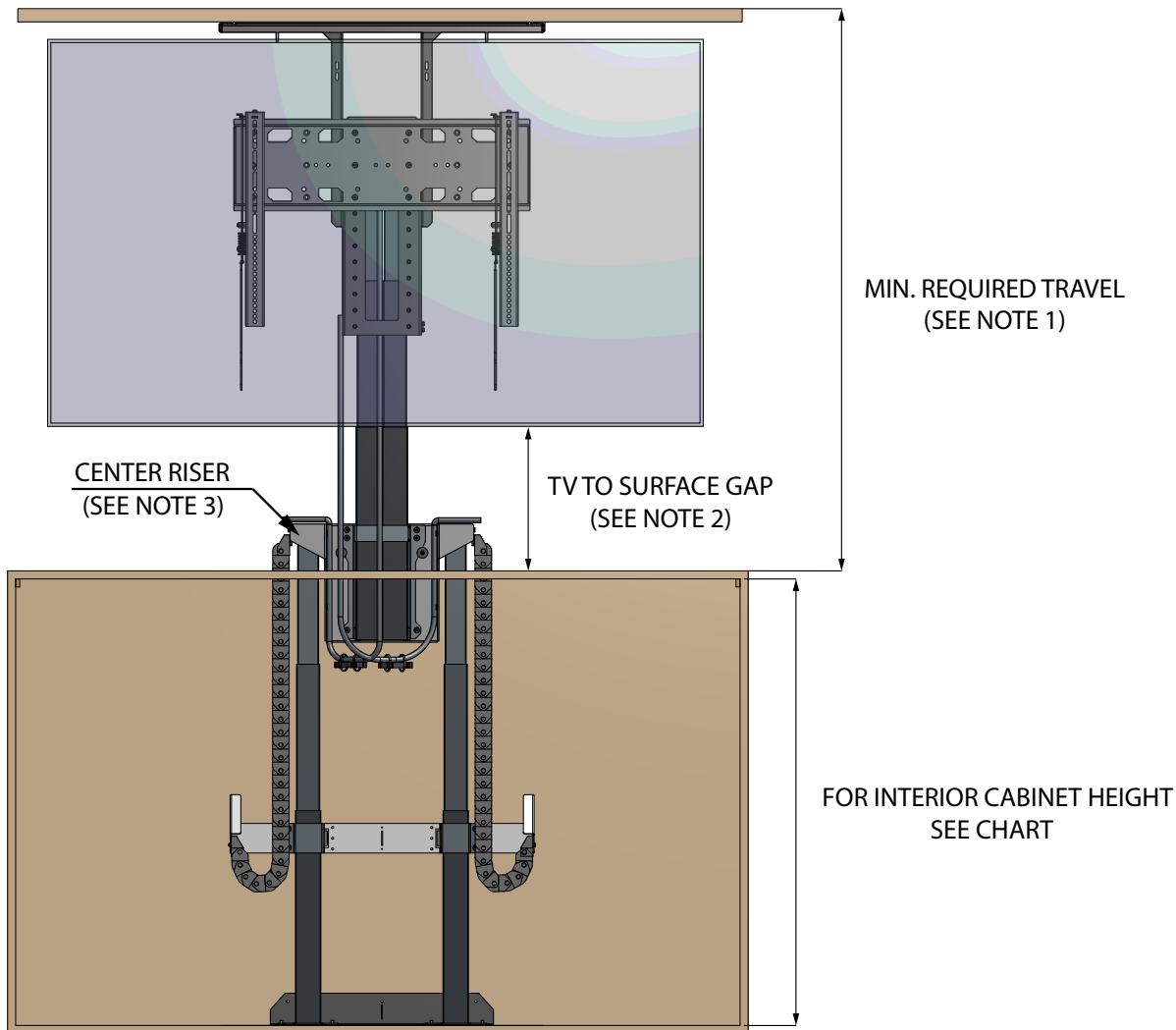
### NOTES:

1. THE CABINET BOX SHOWN IN THE DIAGRAM IS FOR REFERENCE ONLY AND IS NOT PROVIDED WITH THE LIFT SYSTEM
2. LIFT MECHANISM IS POWDER COATED BLACK STEEL, COLORS IN DIAGRAM ARE FOR CLARITY ONLY
3. LIFT WILL NOT OPERATE WHEN SWIVELED OUTSIDE OF HOME POSITION
4. LIFT ENCLOSURE'S REAR PANEL SHOULD BE CONSTRUCTED TO WITHSTAND A HORIZONTAL LOAD OF 600 LBS [272.2 kg] OR MORE

# NEXUS 21

COPYRIGHT 2020 - ALL RIGHTS RESERVED  
UPDATED 9/2/20

# MODEL L-85s DIAGRAM PRIMARY CABINET DIMENSIONS - CONTINUED



INTERIOR CABINET HEIGHT TABLE		
TV HEIGHT	MIN INTERIOR CABINET HEIGHT	MAX INTERIOR CABINET HEIGHT
32" [81.3]	39.5" [100.3]	45" [114.3]
33" [83.8]	40" [101.6]	46" [116.8]
34" [86.4]	40.5" [102.9]	47" [119.4]
35" [88.9]	41" [104.1]	48" [121.9]
36" [91.4]	41.5" [105.4]	
37" [94]	42" [106.7]	
38" [96.5]	42.5" [108]	
39" [99.1]	43" [109.2]	
40" [101.6]	44" [111.8]	
41" [104.1]	45" [114]	
42" [106.7]	46" [116.8]	
43" [109.2]	47" [119.4]	
44" [111.8]	48" [121.9]	

FOR TV HEIGHT, ALWAYS USE MANUFACTURER SUPPLIED  
"TV WITHOUT STAND" HEIGHT

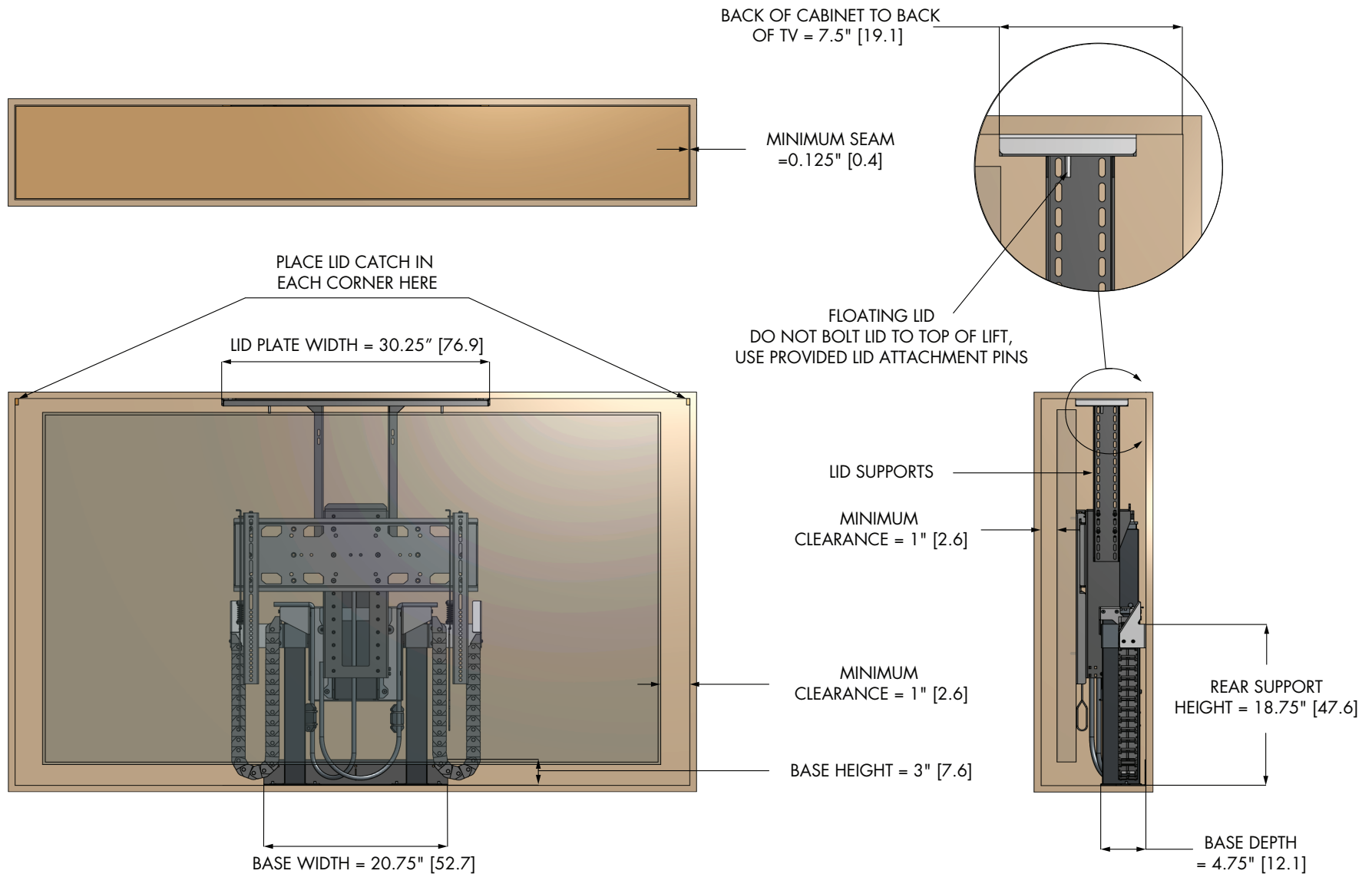
## IMPORTANT NOTES:

1. MINIMUM REQUIRED TRAVEL = TV HEIGHT + LID THICKNESS + 3" [7.6]
2. MAXIMUM TV TO SURFACE GAP = 52" [132.1] MINUS MINIMUM REQUIRED TRAVEL
3. CENTER RISER CAN BE HIDDEN BY USING THE PROVIDED HEIGHT LIMIT INSERT TO LIMIT THE TRAVEL [EXTENSION] OF THE LIFT
4. MAX TRAVEL FOR THIS SYSTEM IS 52" [132.1]

# NEXUS<sub>21</sub>

COPYRIGHT 2020 - ALL RIGHTS RESERVED  
UPDATED 9/2/20

# MODEL L-85s DIAGRAM CABINET REFERENCE DIMENSIONS



**NOTES:**

1. LID SUPPORTS ALLOW LID PLATE TO BE ADJUSTED FLUSH WITH UNDERSIDE OF LID
2. LID ATTACHMENT PINS ALLOW LID TO FLOAT WITH THE USE OF LID CATCHES
3. MINIMUM SEAM CAN BE REDUCED TO 0.0625" [0.2] WITH A 45 DEGREE BEVEL ON THE EDGES OF THE LID

**NEXUS<sub>21</sub>**

COPYRIGHT 2020 - ALL RIGHTS RESERVED  
UPDATED 9/2/20