

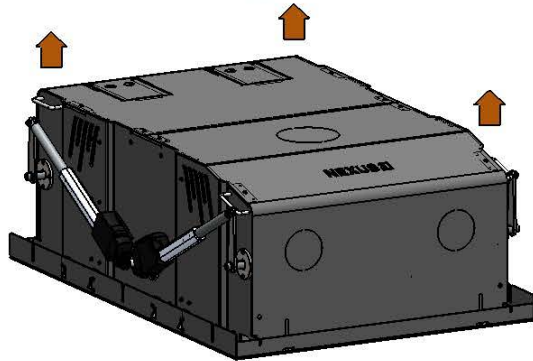
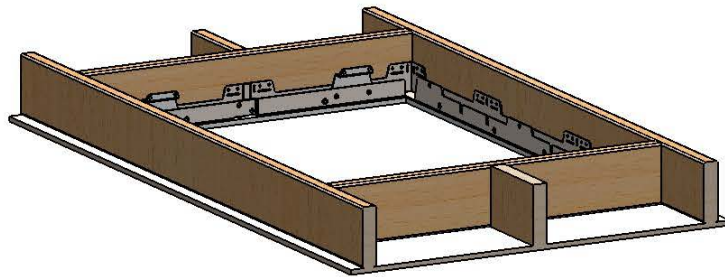
MODEL E-750 DIAGRAM FRAMING DIMENSIONS

SPECIFICATIONS (CENTIMETERS ARE REPRESENTED BY [])

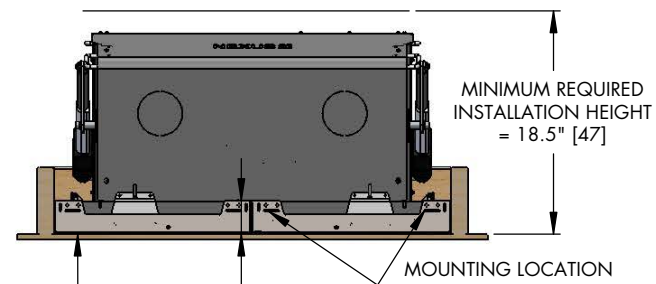
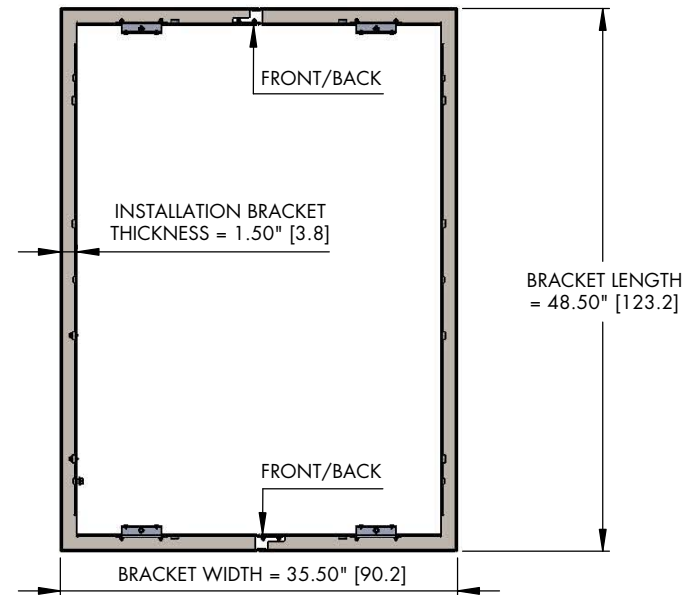
MAX PROJECTOR SIZE (L X W X H) : 38" X 24" X 12" [96.5 X 61 X 30.5]
 MAX WEIGHT CAPACITY : 175 LBS [79 KG]
 MAX TRAVEL (EXTENSION) : 12" [30.4]

QUICK REFERENCE GUIDE

FRAMING DIMENSIONS (L X W X H) : 48.625" X 35.625" X 18.625" [123.5 X 90.5 X 47.3]



BOTTOM OF PRE-INSTALLATION BRACKET
TO BE FLUSH WITH BOTTOM OF JOISTS



INSTALLATION BRACKET
HEIGHT = 3.00" [7.6]

NOTES:

1. NEXUS 21 RECOMMENDS THIS INSTALLATION BE COMPLETED BY A LICENSED CONTRACTOR AND ELECTRICIAN
2. INFORMATION PERTAINING TO THE CEILING CAN BE FOUND ON THE THIRD PAGE OF THIS DIAGRAM
3. COLORS SHOWN IN THIS DIAGRAM ARE FOR CLARITY ONLY, MECHANISM IS GREY POWDER COATED STEEL AND ALUMINUM

NEXUS 21

COPYRIGHT 2020 - ALL RIGHTS RESERVED
 UPDATED 4/3/20

MODEL E-750 DIAGRAM

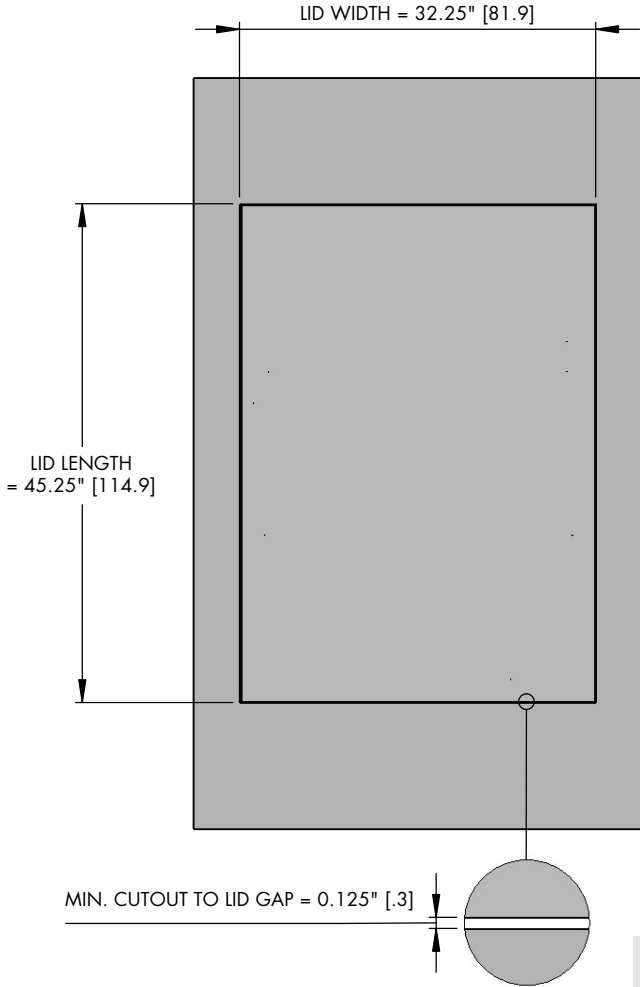
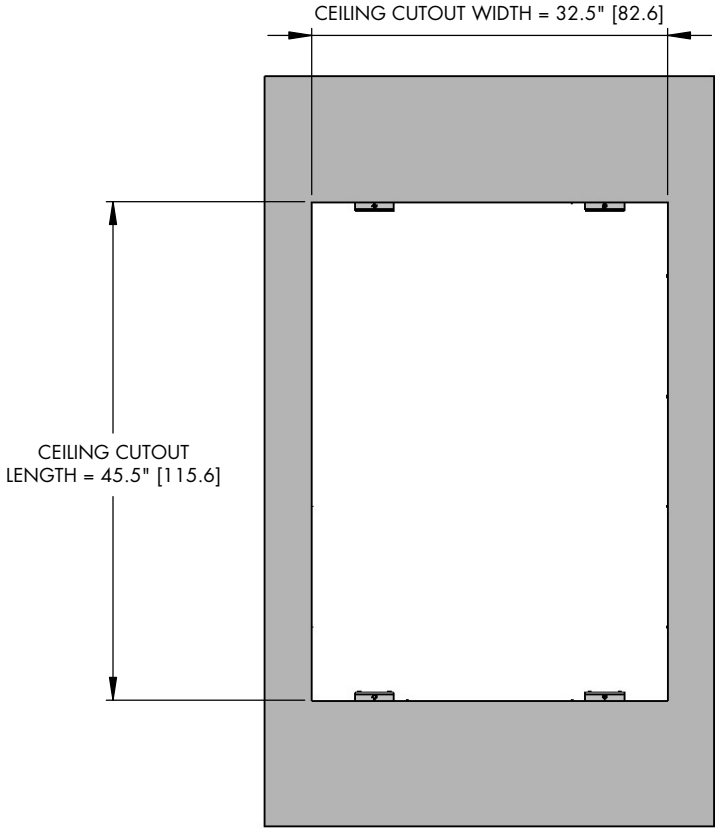
CEILING DIMENSIONS

QUICK REFERENCE DIMENSION GUIDE

MAX LID WEIGHT : 50 LBS [22.7 KG]

CEILING CUTOUT (L X W) : 45.5" X 32.5" [115.6 X 82.6]

LID (L X W) : 45.25" X 32.25" [114.9 X 81.9]



- NOTES:
1. LID ATTACHES TO PROVIDED INTERFACE PLATE
 2. INTERFACE PLATE ALLOWS CEILING PANEL TO BE REMOVABLE WITH PUSH TO RELEASE LATCH

NEXUS₂₁

COPYRIGHT 2020 - ALL RIGHTS RESERVED
UPDATED 4/3/20