

MODEL L-23i DIAGRAM PRIMARY CABINET DIMENSIONS

SPECIFICATIONS (CENTIMETERS ARE REPRESENTED BY [])

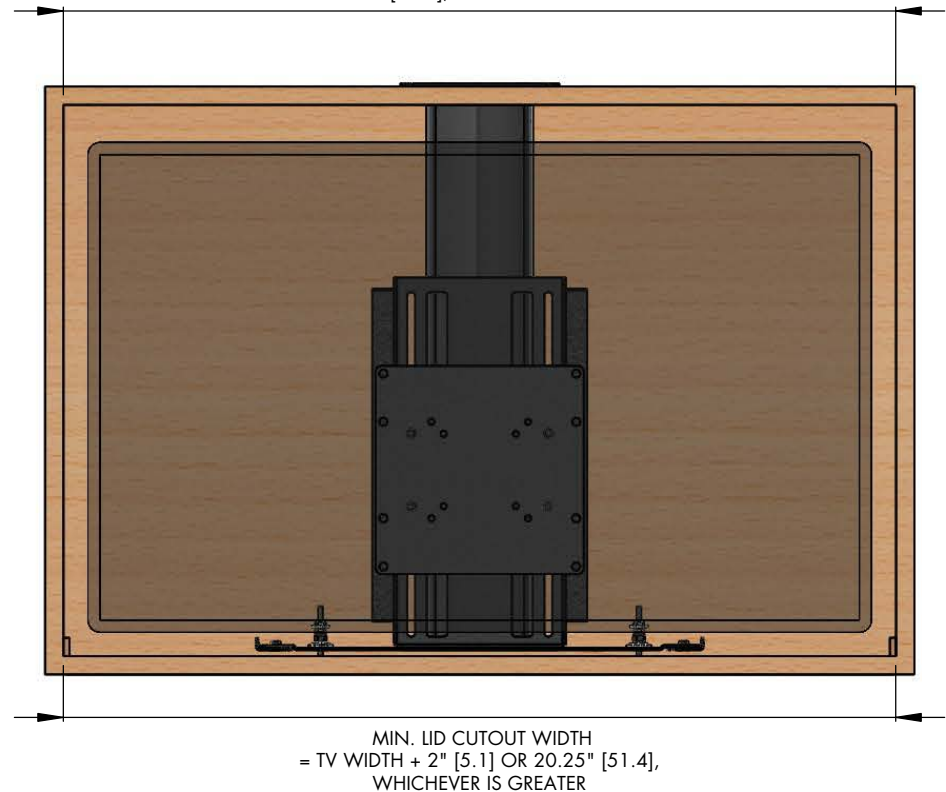
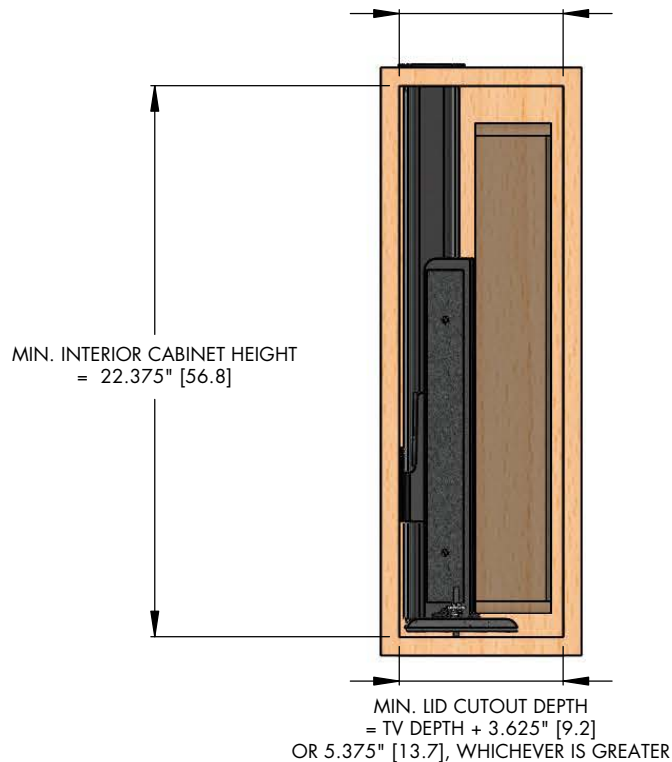
MAX TV SIZE : 32"
 MAX WEIGHT CAPACITY : 75 LBS [34 KG]
 MAX TRAVEL (EXTENSION) : 23" [58.4]
 LIFT SYSTEM HEIGHT : 22.25" [56.5]
 MAX TV HEIGHT : 21.75" [55.2] MINUS LID THICKNESS

QUICK REFERENCE DIMENSION GUIDE (USE WHICHEVER IS GREATER)

TV DIMENSIONS : W____, H____, D____
 MIN. INTERIOR CABINET WIDTH : $W+2"$ [5.1] = ____ OR 20.25" [51.4]
 MIN. LID CUTOUT WIDTH : $W+2"$ [5.1] = ____ OR 20.25" [51.4]
 MIN. INTERIOR CABINET HEIGHT : 22.375" [56.8]
 MIN. INTERIOR CABINET DEPTH : $D+3.625"$ [9.2] = ____ OR 5.375" [13.7]
 MIN. LID CUTOUT DEPTH : $D+3.625"$ [9.2] = ____ OR 5.375" [13.7]

MIN. INTERIOR CABINET DEPTH = TV DEPTH + 3.625" [9.2]
 OR 5.375" [13.7], WHICHEVER IS GREATER

MIN. INTERIOR CABINET WIDTH = TV WIDTH + 2" [5.1]
 OR 20.25" [51.4], WHICHEVER IS GREATER



NOTES:

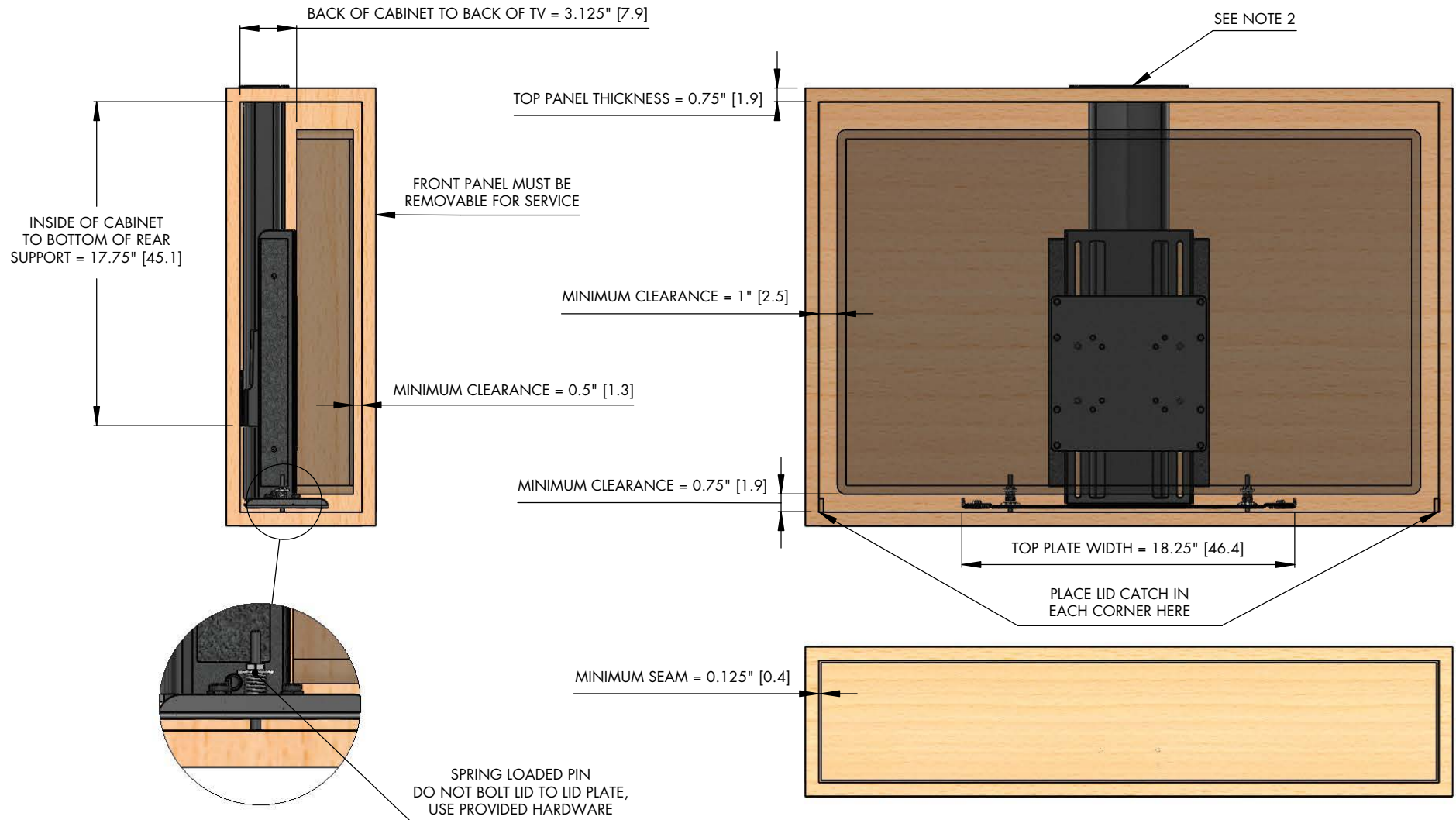
1. NEXUS 21 RECOMMENDS THIS INSTALLATION BE COMPLETED BY A LICENSED CONTRACTOR AND ELECTRICIAN
2. THE CABINET BOX SHOWN IN THE DIAGRAM IS FOR REFERENCE ONLY AND IS NOT PROVIDED WITH THE LIFT SYSTEM
3. FOR REFERENCE DIMENSIONS, SEE PAGE 2 OF THIS DIAGRAM
4. WHEN DETERMINING TV HEIGHT, ALWAYS USE MANUFACTURER SUPPLIED "TV WITHOUT STAND" HEIGHT
5. LIFT MECHANISM IS POWDERCOATED BLACK STEEL, COLORS IN DIAGRAM ARE FOR CLARITY ONLY

NEXUS 21

COPYRIGHT 2020 - ALL RIGHTS RESERVED
 UPDATED 4/3/20

MODEL L-23i DIAGRAM

CABINET REFERENCE DIMENSIONS



NOTES:

1. LID IS DESIGNED TO FLOAT WITH PROVIDED SPRING LOADED PINS - LID MUST BE INSTALLED PROPERLY FOR SAFETY.
2. LIFT COLUMN DOES NOT PASS THROUGH CABINET, LIFT COLUMN IS BOLTED TO TOP BEAM SUPPORT USING THROUGH BOLTS
3. MINIMUM SEAM CAN BE REDUCED TO 0.0625" [0.2] WITH A 45 DEGREE BEVEL ON THE LID

NEXUS₂₁

COPYRIGHT 2020 - ALL RIGHTS RESERVED
UPDATED 4/3/20