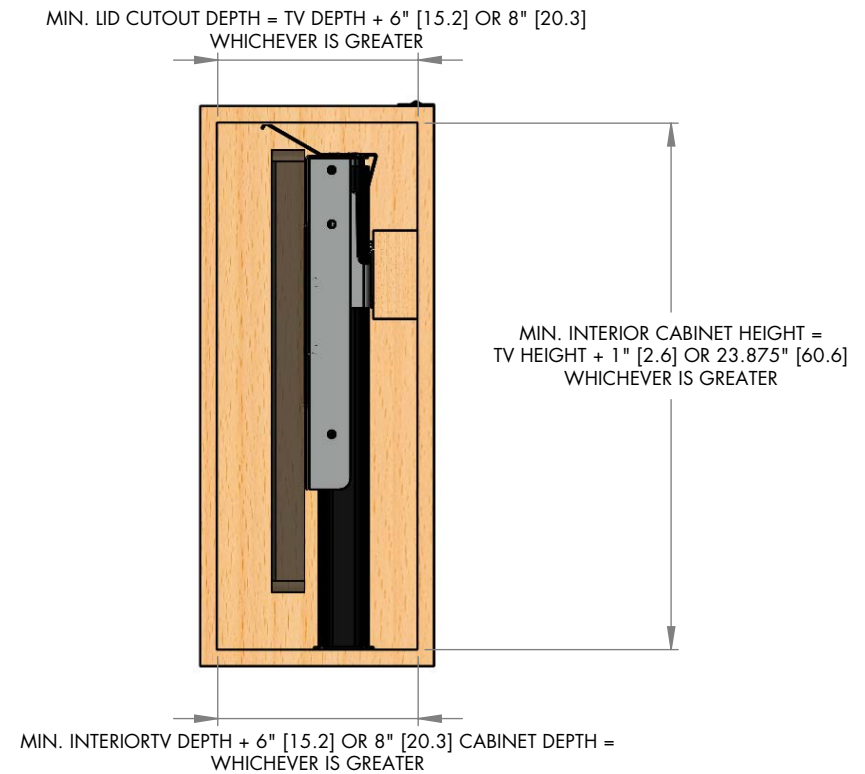
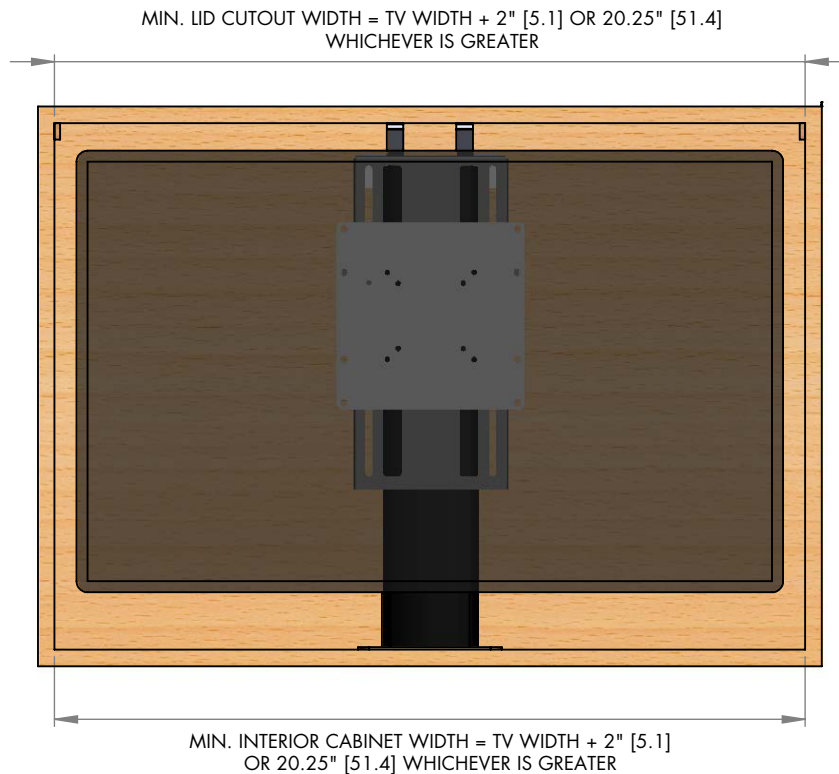


MODEL L-23 DIAGRAM WITH HINGED TOP GUIDES - PRIMARY CABINET DIMENSIONS

SPECIFICATIONS (CENTIMETERS ARE REPRESENTED BY [])
MAX TV SIZE : 32"
MAX WEIGHT CAPACITY : 130 LBS [59 KG]
MAX TRAVEL (EXTENSION) : 23" [58.4]
LIFT SYSTEM HEIGHT : 24" [61]
MAX TV HEIGHT : 21.5" [54.6] MINUS LID THICKNESS

QUICK REFERENCE DIMENSION GUIDE (USE WHICHEVER IS GREATER)
TV DIMENSIONS : W____, H____, D____
MIN. INTERIOR CABINET WIDTH : $W+2"$ [5.1] = ____ OR 20.25" [51.4]
MIN. LID CUTOUT WIDTH : $W+2"$ [5.1] = ____ OR 20.25" [51.4]
MIN. INTERIOR CABINET HEIGHT : $H+1"$ [2.6] = ____ OR 23.875" [60.6]
MIN. INTERIOR CABINET DEPTH : $D+6"$ [15.2] = ____ OR 8" [20.3]
MIN. LID CUTOUT DEPTH : $D+6"$ [15.2] = ____ OR 8" [20.3]



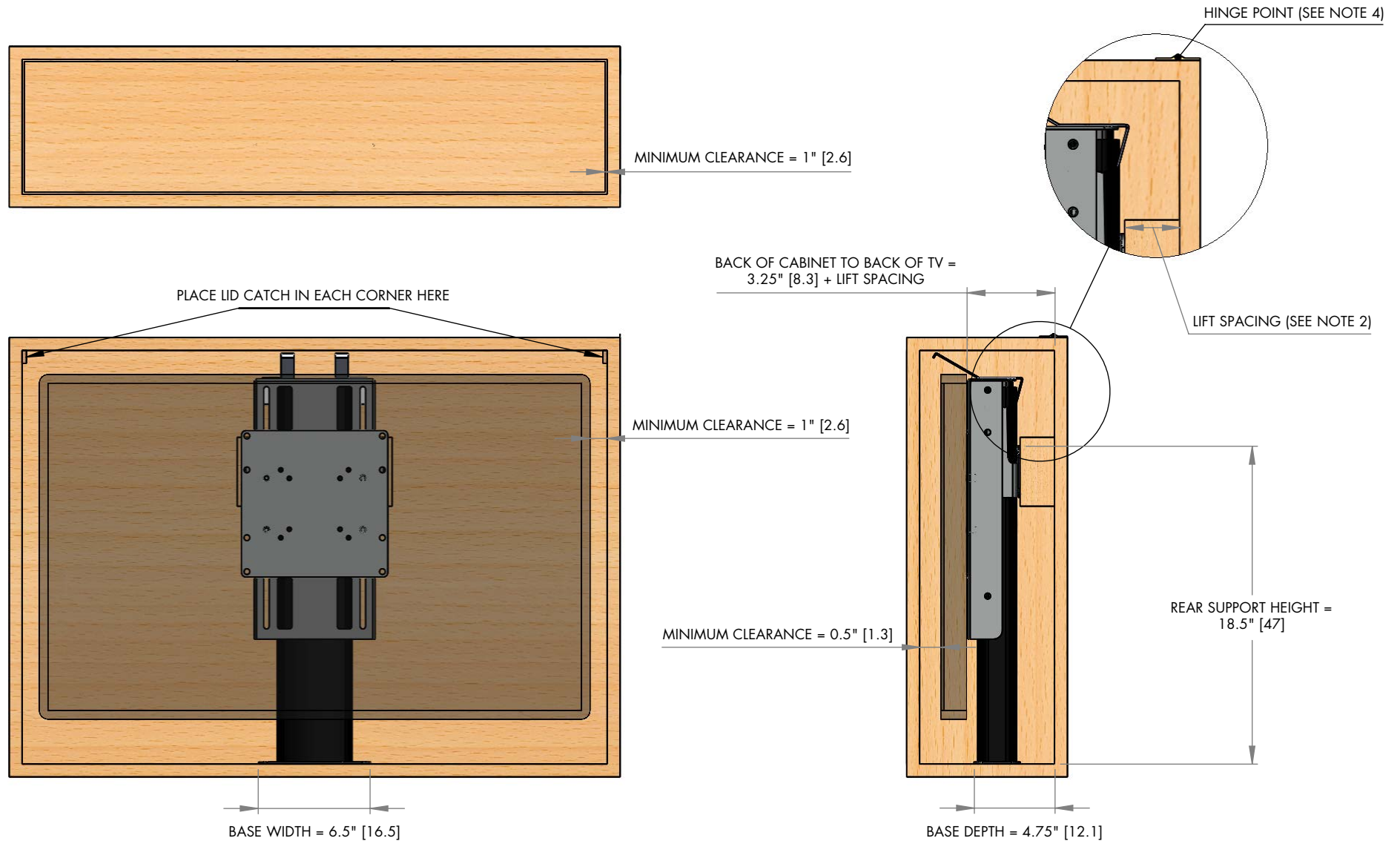
NOTES:

1. THE CABINET BOX SHOWN IN THE DIAGRAM IS FOR REFERENCE ONLY AND IS NOT PROVIDED WITH THE LIFT SYSTEM
2. WHEN DETERMINING TV HEIGHT, ALWAYS USE MANUFACTURER SUPPLIED "TV WITHOUT STAND" HEIGHT
3. LIFT MECHANISM IS POWDERCOATED BLACK STEEL, COLORS IN DIAGRAM ARE FOR CLARITY ONLY
4. THE HEIGHT OF THIS MODEL IS NOT ADJUSTABLE; A PLATFORM MUST BE USED TO INCREASE LIFT SYSTEM HEIGHT

IMPORTANT HINGED LID INFORMATION

1. HINGED LIDS REQUIRE THE USE OF THE "HINGED TOP GUIDE" ACCESSORY
2. HINGES FOR THE LID ARE NOT PROVIDED BY NEXUS 21
3. SEE PAGE 2 OF THIS DRAWING FOR MORE DETAILED INFORMATION ABOUT THE HINGED LID

MODEL L-23 DIAGRAM WITH HINGED TOP GUIDES - CABINET REFERENCE DIMENSIONS



NOTES:

1. TOP SUPPORT BRACKETS ALLOW THE HINGED TOP GUIDES TO BE ADJUSTED FLUSH WITH UNDERSIDE OF LID
2. LIFT SYSTEM MUST BE SPACED A MINIMUM OF 2" [5.1] AWAY FROM THE HINGE POINT REGARDLESS OF CABINET DEPTH
3. MINIMUM SEAM CAN BE REDUCED TO 0.0625" [0.2] WITH A 45 DEGREE BEVEL ON THE LID
4. PIANO HINGE SHOWN FOR REFERENCE; HOWEVER, OTHER HINGE TYPES CAN BE USED

NEXUS₂₁

COPYRIGHT 2019 - ALL RIGHTS RESERVED
 UPDATED 11/15/19