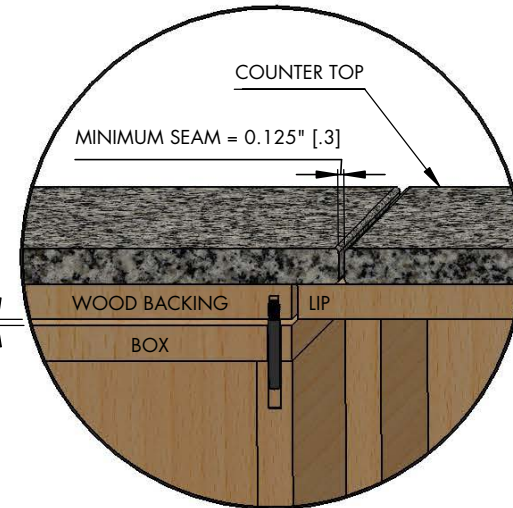


# MODEL AL-125 DIAGRAM SPECIFICATIONS

**SPECIFICATIONS**  
(CENTIMETERS ARE REPRESENTED BY [ ])

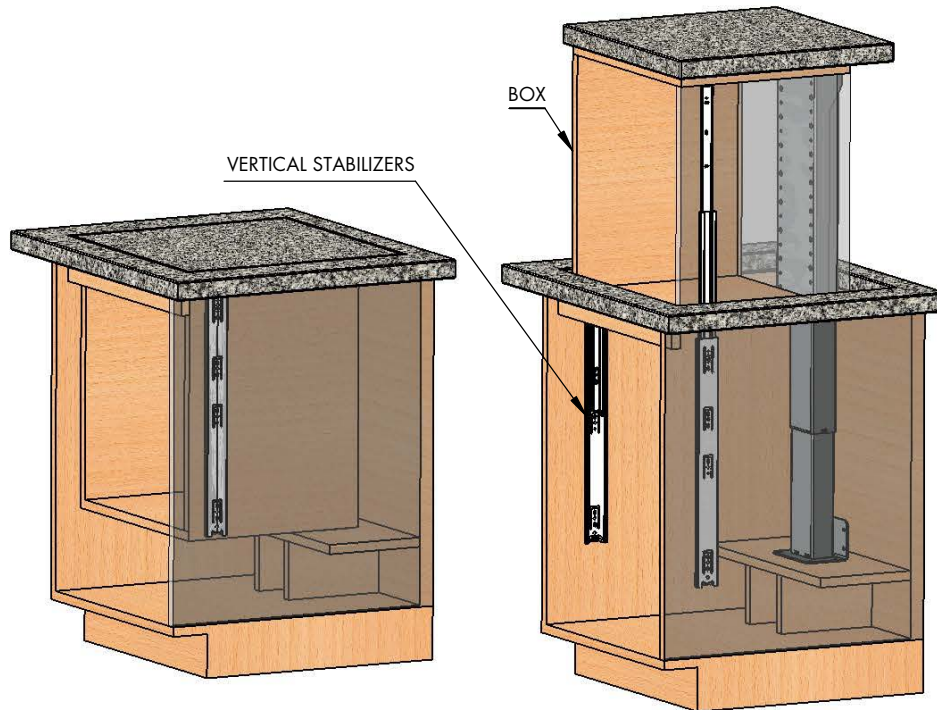
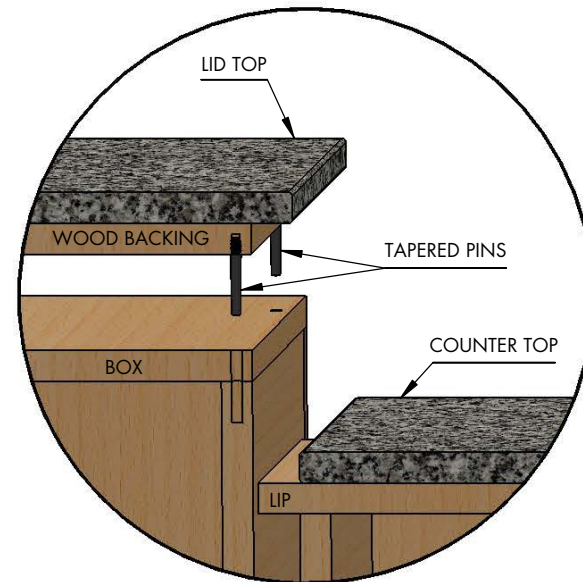
MAX WEIGHT CAPACITY : 125 LBS [56.7 KG]  
 MAX TRAVEL (EXTENSION) : 26" [66]  
 MAX BOX DIMENSIONS (W X H X D) : 30" X 26" X 30" [76.2 X 66 X 76.2]  
 BOX HEIGHT + LID THICKNESS CANNOT EXCEED 25.75" [65.4]  
 LIFT SYSTEM HEIGHT : 20.75" [52.7]

RETRACTED VIEW



MAXIMUM LID SEPERATION WHEN RETRACTED = 0.125" [0.3]

EXPLODED VIEW



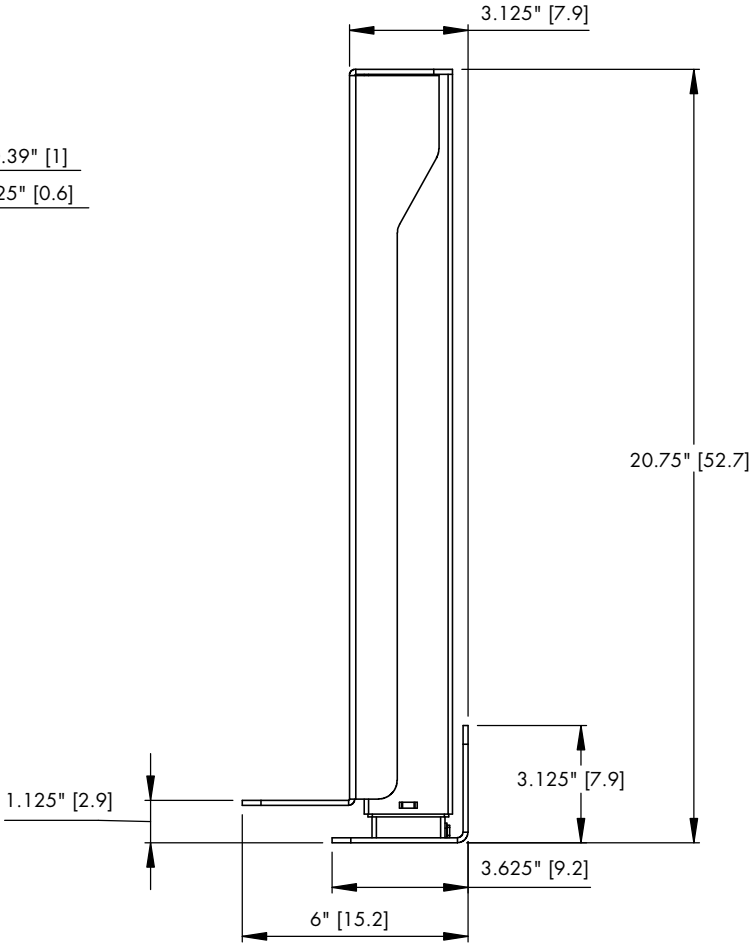
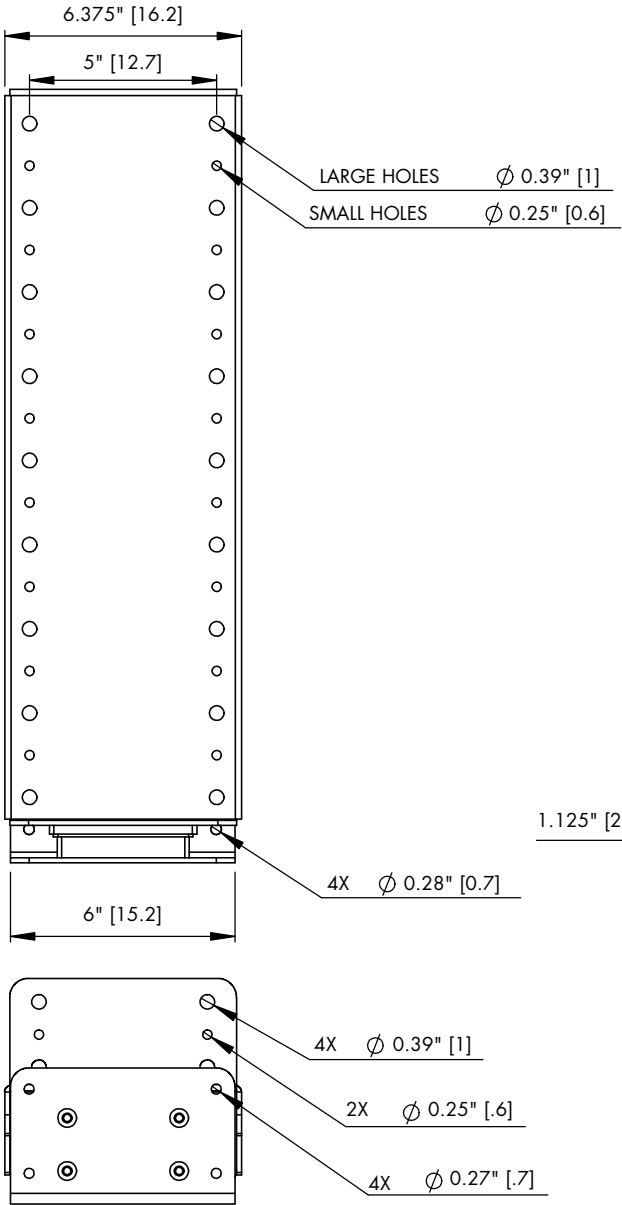
NOTES:

1. THE CABINET BOX SHOWN IN THE DIAGRAM IS FOR REFERENCE ONLY AND IS NOT PROVIDED WITH THE LIFT SYSTEM
2. VERTICAL STABILIZERS ARE REQUIRED FOR THIS INSTALLATION, TO ENSURE MINIMAL DEFLECTION AND IDEAL PERFORMANCE
3. BOX CAN BE ANY SHAPE, AS LONG AS THE MAXIMUM BOX DIMENSIONS ARE NOT EXCEEDED
4. TAPERED PINS ALLOW LID TO "FLOAT" WITH THE USE OF LIP OR LID CATCH
5. LID MUST BE REMOVABLE / "FLOATING" FOR WARRANTY, RELIABILITY AND SAFETY. COLLISION DETECTION SYSTEM IS EXTREMELY SENSITIVE

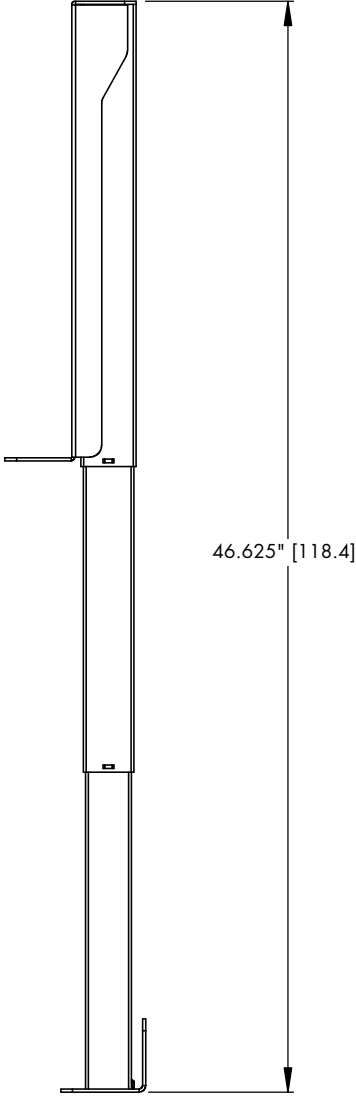
**NEXUS<sub>21</sub>**

COPYRIGHT 2020 - ALL RIGHTS RESERVED  
 UPDATED 4/23/20

# MODEL AL-125 DIAGRAM MECHANISM DIMENSIONS



RETRACTED VIEWS



EXTENDED VIEW

**NEXUS<sub>21</sub>**

COPYRIGHT 2020 - ALL RIGHTS RESERVED  
UPDATED 4/23/20